



**PRODUCT NAME:**

LOW DENSITY SPONGES (BOX QTY 27)

**PRODUCT CODE/S:**

125 X 100MM X 13MM: PPA088, PPA089, PPA090, 1752, 1753, 1754

**KEY FEATURES:**

Open cell polyurethane foam tape, Moisture Proof, Weather Proof, Corrosion Resistance, Shock-Absorbing, Sound Insulation, Anti-Skidding, and Flame Retardant.

- The Weather Stripping can quickly return to original shape after press, Good Resilience Can Effectively Sound Absorption, But Also to Protect the Equipment from Injury, Extend the Service Life.
- Widely Used in Various Furniture, Cabinets, Speakers, Toy, Handicraft, DIY, Sports Equipment, On cars, trucks and boats, construction sector, electronics Industry, etc

**MATERIAL:**

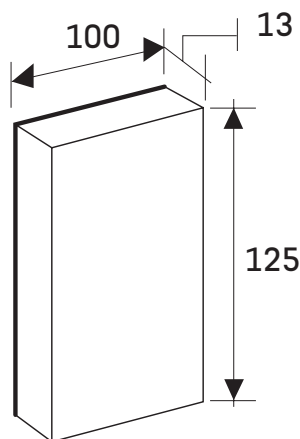
Aluminium Oxide

This man-made material is suitable for shaping, sanding and polishing hard metal such as iron and steel, but also effective on timber. Aluminium oxide cuts much faster and lasts longer than glass or garnet.

It is available on non-waterproof, cloth or waterproof backings.

**SIZE CHART**

GRADE	CODES	SIZE	APPLICATION
36/36 COARSE	PPA088, 1752	125MM X 100MM X13MM	MATERIAL REMOVAL
60/60 MEDIUM	PPA089, 1753	125MM X 100MM X13MM	LEVELING
100/100 FINE	PPA090, 1754	125MM X 100MM X13MM	FINISHING



**STORAGE**

IT IS RECOMMENDED THAT ALL COATED ABRASIVE PRODUCTS SHOULD BE STORED AT CONSTANT LEVELS OF TEMPERATURE AND HUMIDITY WITHIN THE RANGES OF 18-22°C, 50-65% RH. THEY SHOULD BE KEPT AWAY FROM DAMP (OR COLD) WALLS, WINDOWS OR FLOORS TO AVOID POSSIBLE MOISTURE ABSORPTION. EQUALLY STORAGE ADJACENT TO HEAT SOURCES E.G. STEAM PIPES, RADIATORS, HOT AIR DUCTS, OVENS, ETC.,

