



### PRODUCT NAME:

RASTA CUTTING & GRINDING DISCS METAL GRINDING DISCS

### PRODUCT CODE/S:

DEPRESSED CENTRE: RA201, RA202, RA205, RA210, RA211, RA212, RA214,, RA221, RA224  
 FLAT: RA235, RA236, RA238, RA239, RA240, RA241, RA242, RA292, RA293  
 RASTA DISC PYRAMID STAND: RA200

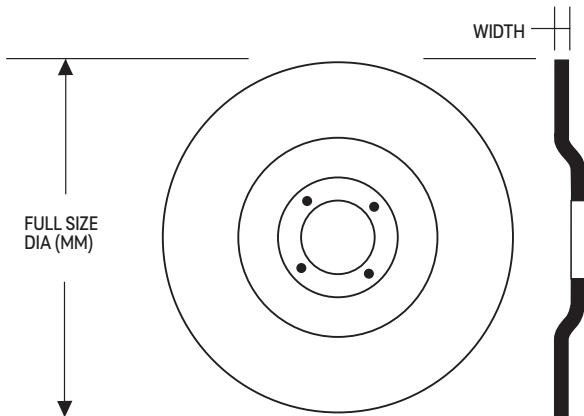
### KEY FEATURES:

Outstanding stock removal rate and easy to use. No clogging, no chattering. Ideal for very solid construction steel, tool steel, high-speed steel, and sheet steel. All-purpose grinding disc grinding disc with very good removal rate, suitable for grinding both edges and surfaces.

### MATERIAL:

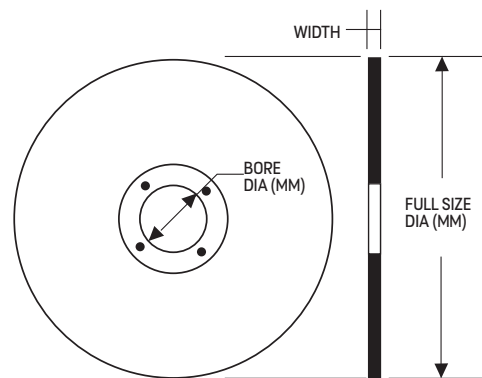
MANUFACTURED USING SILICONE CARBIDE ABRASIVE GRIT WITH FIBREGLASS REINFORCING AND RESIN BONDED

### DETAILS:



DEPRESSED CENTRE METAL CUTTING DISC

CODE	Diameter (mm)	Width (mm)	Bore (mm)	Type
RA201	100	6	22.2	DPC
RA202	115	6	22.2	DPC
RA205	230	6	22.2	DPC
RA210	100	3	16	DPC
RA211	115	3	22.2	DPC
RA212	125	3	22.2	DPC
RA214	230	3	22.2	DPC
RA221	115	3	22.2	DPC
RA224	230	3	22.2	DPC



FLAT STONE METAL DISC

CODE	Diameter (mm)	Width (mm)	Bore (mm)	Type
RA235	300	3	22.2	FLAT
RA236	300	3	20	FLAT
RA238	300	2.8	25.4	FLAT
RA239	350	3	25.4	FLAT
RA240	350	4	25.4	FLAT
RA241	300	3.5	20	FLAT
RA242	350	4	20	FLAT
RA292	230	1.9		FLAT
RA293	115	1		FLAT

### STORAGE

A SAW WITH A MISALIGNED HEAD, WORN BLADE SHAFT BEARINGS, WORN BLADE FLANGES, WORN BELTS OR PULLEYS, OR IMPROPERLY TRACKING CONVEYOR CART, WILL GENERALLY STILL CUT MATERIAL, BUT PUTS STRESSES ON THE BLADE THAT WILL RESULT IN CUTS THAT ARE NOT SQUARE. THIS WILL ALSO CAUSE A SHORT BLADE LIFE OR A BLADE THAT WEARS UNEVENLY.

