



PRODUCT NAME:

WOOD HAND WIRE BRUSH

PRODUCT CODE/S:

WB32: 4 ROWS

WB33: 5 ROWS

KEY FEATURES:

Wire brushes are ideal for removing paint stains, rust, welding slag, solder, scale, Great for remove corrosion and more from parts, equipment, machinery and other surfaces. Also great for cleaning threads, grills or tile.

Ergonomic Long Curved & Durable Beech Wood handle with pre-drilled hole for hanging-Smooth finish nice naturally beech wood provides excellent hand feeling, Easy to Use.

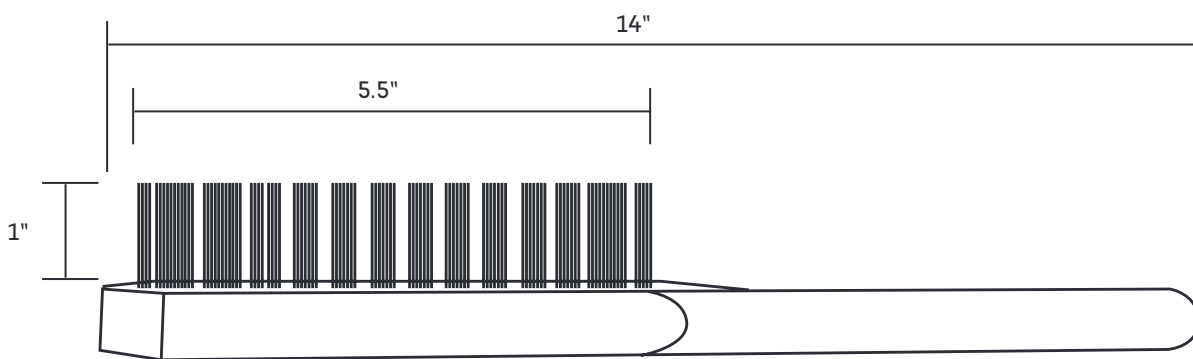
Heavy duty stainless steel wire brush: wire scratch brush, solidly imbedded stainless steel bristle, Hardened steel wire for reduced wire breakage & longer life, Rugged and durable.

MATERIAL:

Steel

SIZE CHART

CODE	NO. OF ROWS	WIRE SIZE	SIZE	BRISTLE LENGTH
WB32	4 X 19	0.30MM 0.35MM	14"	1"
WB33	5 X 19	0.30MM 0.35MM	14"	1"



STORAGE

IT IS RECOMMENDED THAT ALL COATED ABRASIVE PRODUCTS SHOULD BE STORED AT CONSTANT LEVELS OF TEMPERATURE AND HUMIDITY WITHIN THE RANGES OF 18-22°C, 50-65% RH. THEY SHOULD BE KEPT AWAY FROM DAMP (OR COLD) WALLS, WINDOWS OR FLOORS TO AVOID POSSIBLE MOISTURE ABSORPTION. EQUALLY STORAGE ADJACENT TO HEAT SOURCES E.G. STEAM PIPES, RADIATORS, HOT AIR DUCTS, OVENS, ETC.,

