



**PRODUCT NAME:**

MASKING TAPE

**PRODUCT CODE/S:**

AT13, AT14, AT15, AT16

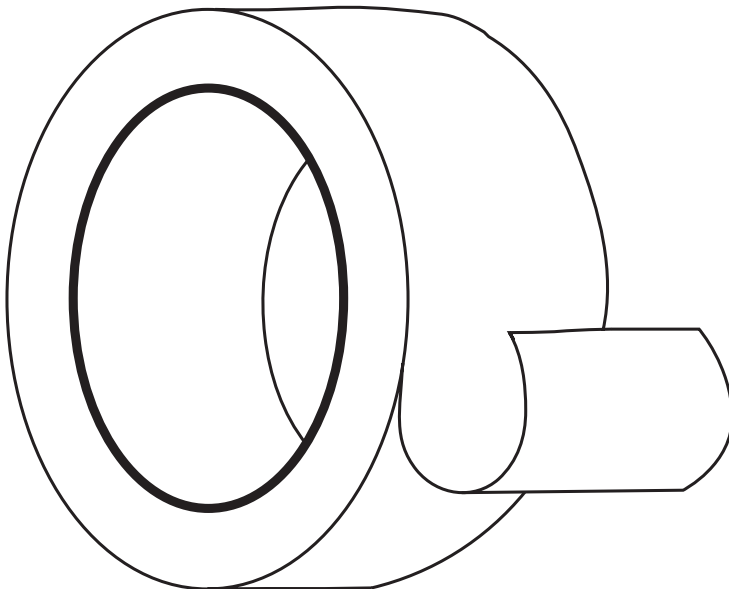
**KEY FEATURES:**

Masking tape, also known as sticky tape, is a type of pressure-sensitive tape made of a thin and easy-to-tear paper, and an easily released pressure-sensitive adhesive. It is available in a variety of widths. It is used mainly in painting, to mask off areas that should not be painted. The adhesive is the key element to its usefulness, as it allows the tape to be easily removed without leaving residue or damaging the surface to which it is applied.

**USES**

For its original use of marking off areas where body paint is not desired, a special grade of painter's masking tape is needed. With this special grade, very clean lines can be produced. Without it, the paint bleeds under the edges of the tape, producing a fuzzy or varied line..

**DETAILS:**



<b>MATERIAL:</b>	CREPE PAPER + RUBBER GLUE
<b>THICKNESS:</b>	140MIC, ETC.ETC.
<b>LENGTH:</b>	50M, ETC.
<b>WIDTH:</b>	24MM, 36MM, 48MM, 72MM, ETC
<b>COLORS:</b>	WHITE
<b>APPLICATION CONDITION:</b>	Temperature Resistance 60
<b>PACKAGING:</b>	Temperature Resistance 60
<b>BOX QTY (24MM):</b>	72
<b>BOX QTY (36MM):</b>	48
<b>BOX QTY (48MM):</b>	36
<b>BOX QTY (72MM):</b>	24

**STORAGE**

STORE UNDER NORMAL CONDITIONS OF 70°F (21°C) AND 50% R.H. IN THE ORIGINAL CARTON.