


PRODUCT NAME:

CONVECTOR HEATER 240V X 2KW

PRODUCT CODE/S:

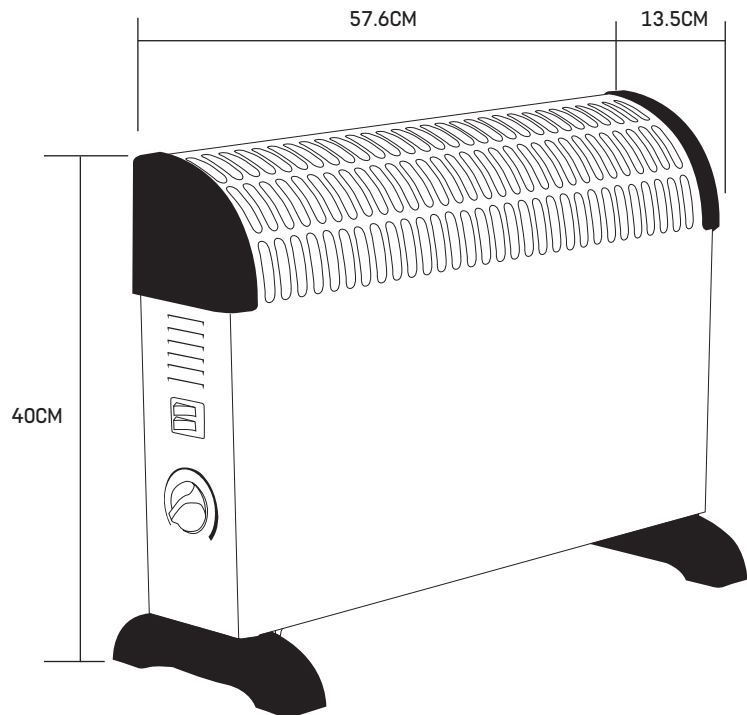
DL01S

KEY FEATURES:

- Adjustable thermostat
 - 3 heat settings @ 750W, 1250W and 2000W
 - Auto safety cut-out
 - Built-in safety thermal fuse
 - Free standing or wall mountabl
- Ideal for offices and small areas with a thermostatic control and frost protection setting
 Carry handles and simple controls
 Complete with an internal safety cut off for protection against overheating
 Offers instant heat, with 3 heat settings

DETAILS

DIMENSIONS	(H) 400 x (W) 576 x (D) 135mm
3 HEAT SETTINGS	@ 750W, 1250W and 2000W
INGRESS PROTECTION (IP)	IP20
PRODUCT COLOUR/FINISH	White
APPROVALS	CE, RoHS, BSEN 60335-1:2012
CABLE	Plug cord length: 1.8Mtr with 3 Core cable 1.0mm with BS1363 approved plug
FREQUENCY (HZ)	50Hz
INPUT VOTAGE (V)	220-240V
MOUNTING POSITION	Floor Standing
OUTPUT RATING (W)	2000W
GROSS WEIGHT	3.6Kg


REMARKS

CE IP20 LED